



Connect your current imaging equipment to the DICOM network.

the DiCOM box[®] CA

Video to DICOM

Add network connectivity to virtually any video-based imaging system. *The DiCOM box CA* provides “off the shelf” connectivity for a variety of network applications such as Print and Archive Servers via the DICOM 3.0 standard. Ideal for creating flexible and scalable print networks or tying various modalities into PACS, teleradiology networks and RIS interface via Modality Worklist.

The *CA* captures static video images from freeze-frame or last image hold up to 150MHz video pixel clock rates, 2048x1024 matrix. The *CA* supports more than 250 modalities.

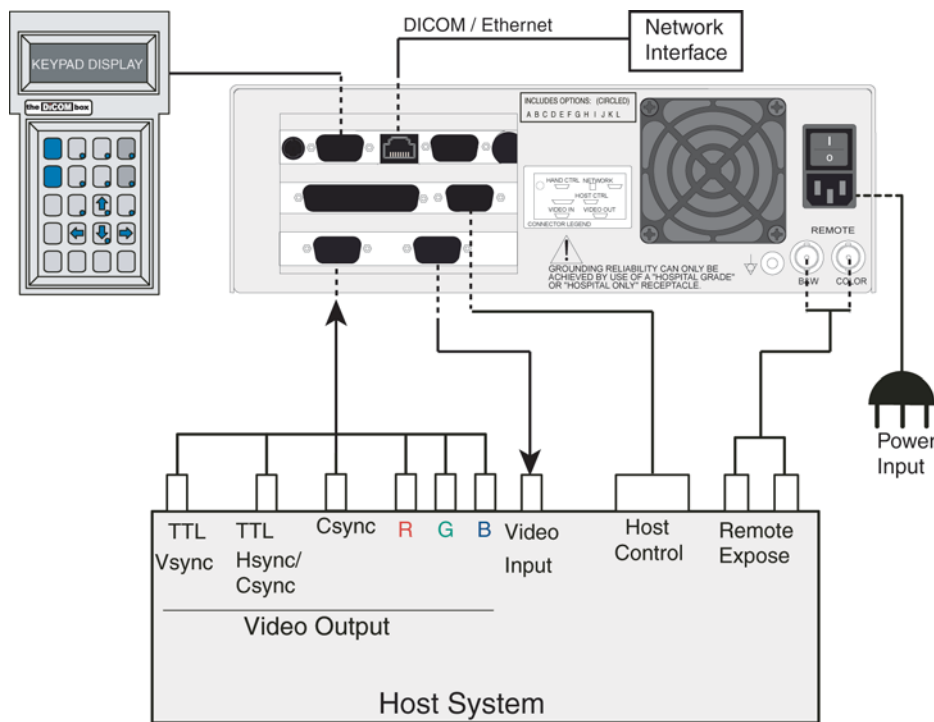
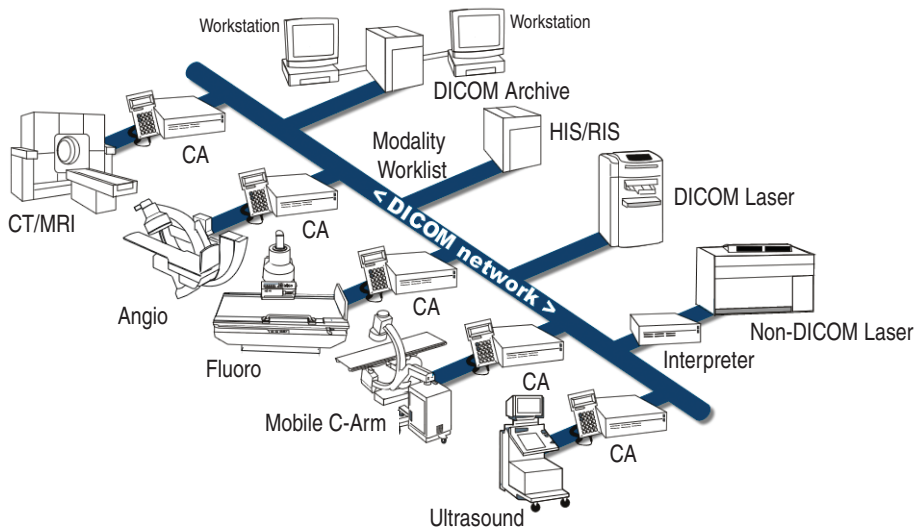
For additional information, contact NAI Tech Products Toll Free at 866-342-6629, or 530-887-1008.

Features:

- DICOM Print
- DICOM Store
- DICOM Modality Performed Procedure Step
- DICOM Storage Commitment
- DICOM Modality Worklist
- Multi-Modality compatible with over 250 models
- Host video rates up to 20MHz pixel rate
- High line rate configurations available
 - up to 150MHz pixel clock rate
 - up to 2048 x 1024 matrix
- Interlaced or non-interlaced video input
- Multiple Print Destinations
- Simultaneous transfer to 2 storage class SCP
- Redundant Image Backup
- Quick network disconnect for mobile applications
- Remote foot or hand switch control interface
- Host Control interface - optional
- Software and option upgradability in the field
- Remote administration via telnet & FTP

the DiCOM box®

CA - Video to DICOM



12919 Earhart Avenue, Auburn, CA 95602 USA
 Ph: 1-866-342-6629 • 1-530-887-1008 • Fax: 1-530-887-1108
 www.dicombox.com

- **DICOM Service Classes**
 - DICOM Print
 - Optional DICOM Store
 - Optional DICOM Modality Worklist
 - Optional DICOM Modality Performed Procedure Step
 - Optional DICOM Storage Commitment
- **Standard Video Input (terminated, 75 ohms)**
 - Monochrome composite video into Green input
 - Red, Green, Blue (RGB) and composite sync
 - (Can be configured for sync on Green & separate sync)
 - Nominal 525/625lines 30/25 fps
 - Interlaced or non-interlaced
 - Pixel Clock Minimum: 7 MHz.
 - Pixel Clock Max: 20 MHz / Low Line Rate
 - 150 MHz High Rate
- **Optional Remote Operator Interface Keypad**
- **Optional Color Print Capability**
- **Optional High Line Video Input**
 - 150 MHz / High Line Rate Image
 - Image Matrix Max: 2048 x 1024
- **Video Acquisition**
 - Single Frame Monochrome Capture**
 - Up to 768 x 580, 20Mhz, 8 bit
 - Single Frame Color Capture
 - 24 bit color (16,777,216 colors)
 - Optional High Line Capture**
 - Up to 2048 x 1024, 150Mhz, 8 bit mono, 24 bit color
- **Internal Storage**
 - 2.2GB or greater Hard Drive
- **Network**
 - Ethernet 10/100 base T - selectable
- **Connectors**
 - Video I/O High Density DB15, Female pins
 - Network: 8 pin modular jack (RJ45)
 - Operator Interface Keypad: DB9, Male pins
 - Host Control Input: DB9, Male pins
 - Remote Capture Input: BNC, Female pins
- **Power Input**
 - 115-230 Volts, $\pm 15\%$ 47-63 Hz, 120 VA
- **Physical Characteristics**
 - Module**
 - Height: 3.25 inches (8.25 cm)
 - Width: 10.125 inches (25.72 cm)
 - Depth: 14.125 inches (35.88 cm)
 - Weight: 8 pounds (3.68 kg)
 - Keypad**
 - Height: 7.15 inches (18.16 cm)
 - Width: 4.10 inches (10.41 cm)
 - Depth: 0.95 inches (2.41 cm)
 - Weight: 8 ounces, (227g)
- **Environmental Operating**
 - Temperature: +50°F to +104°F, (+10°C +40°C)
 - Barometric pressure: 700 hPa to 1060 hPa
 - Relative Humidity: 5% to 80% non condensing
- **Transit**
 - Temperature: +14°F to +122°F (-10°C to +50°C)
 - Relative Humidity: 5% to 85% non condensing
- **Clearance Requirements**
 - 3 inches (7.6cm) for rear panel cable connection
 - Do not obstruct ventilation airflow at front and rear of module
- **Classification**
 - IEC601 Class I,
 - Type B ordinary equipment, continuous operation
- **Agency Approvals**
 - UL 2601-1; IEC601-1; IEC601-1-2
 - CSA601.1
 - FCC part 15