



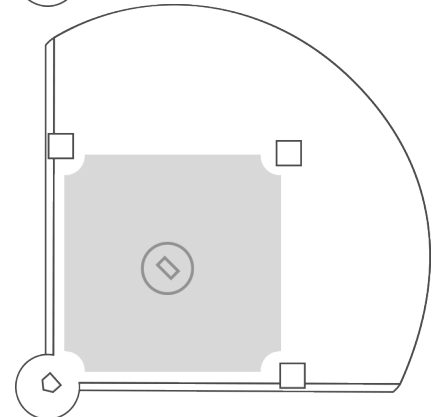
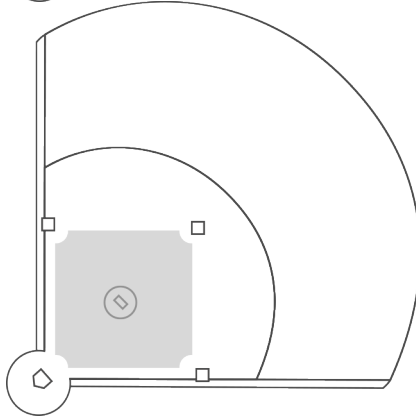
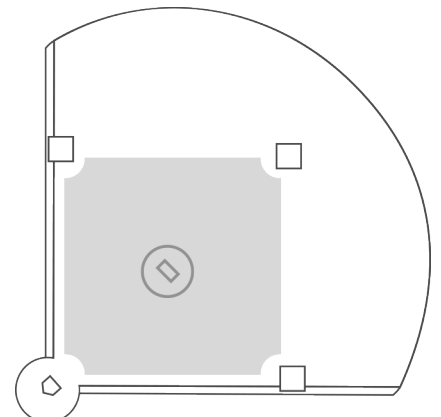
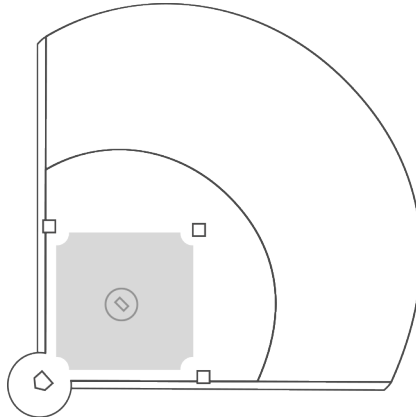
SOFTBALL PRACTICE PAD

TEAM:	DATE:	TIME:
-------	-------	-------

Technical Skill Goals

Tactical Skill Goals

Announcements



TIME	DRILL
------	-------

END OF PRACTICE REVIEW

Today's Wins

How We'll Improve