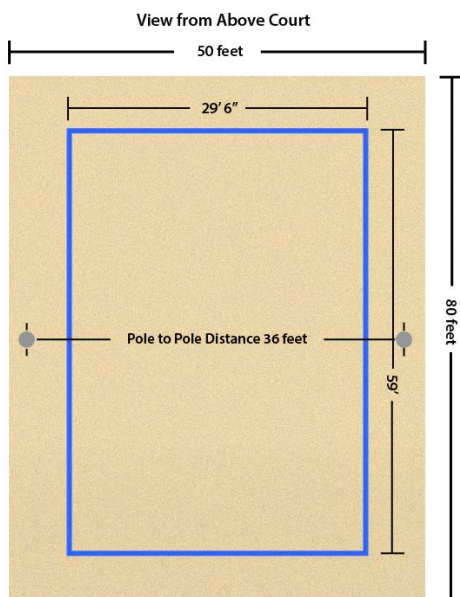


Sand Volleyball Court Volunteer Proposal-May 23, 2020

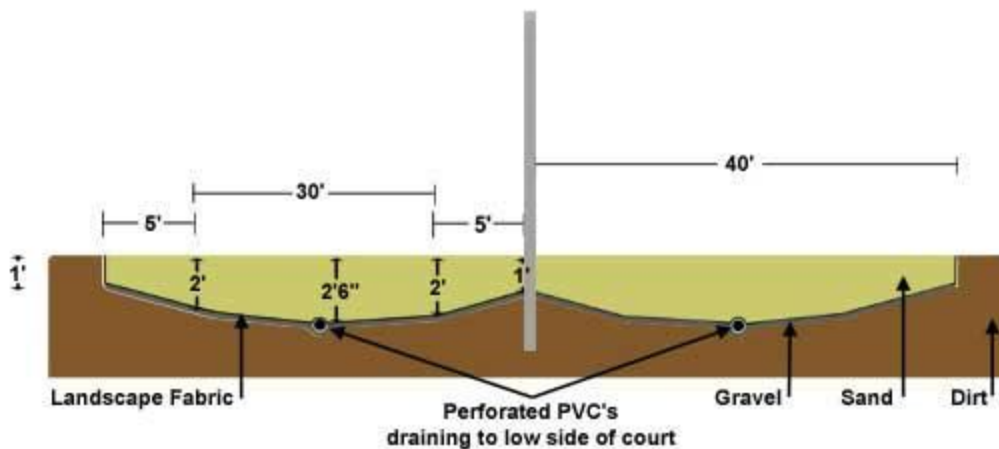
We would like to install a sand volleyball court in deep left field at Valley View. We have talked to Valley View's Principal, Lisa Sullivan, and PE department and they are very excited about this project because it will also benefit their PE department. Sand volleyball is now a NCAA sport and is in the works to become a CIF sport. Both our boys and girls volleyball teams would benefit from this project.

We have a team parent, owner of Oak Park Construction who will volunteer to do all of the excavating and installment of materials. All funding will come from boosters and parent donations.

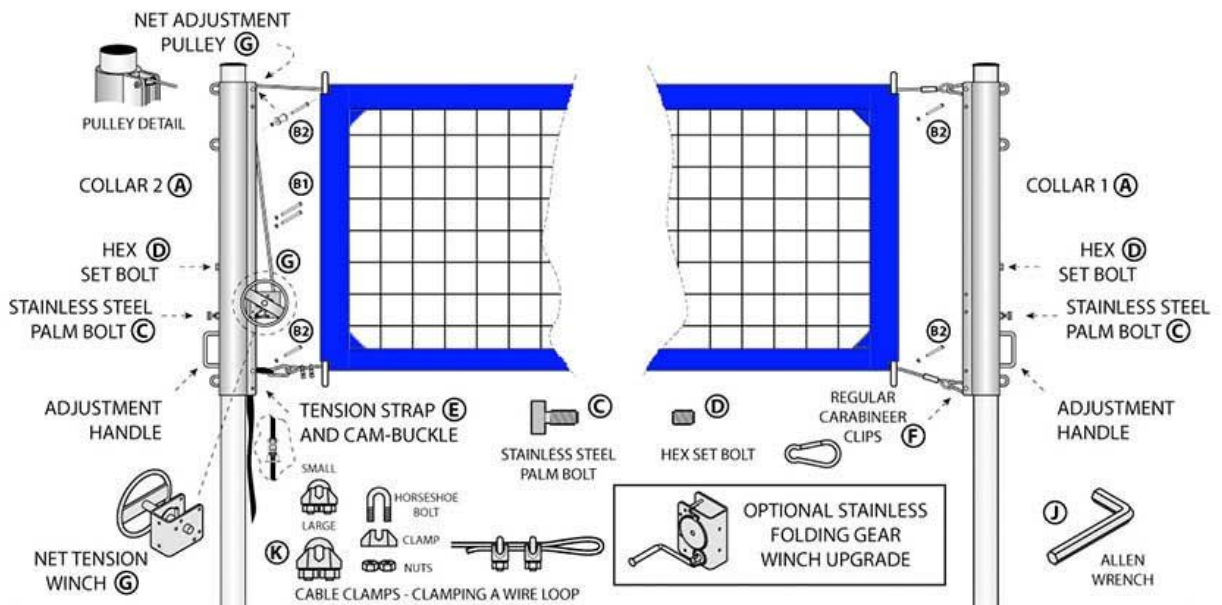
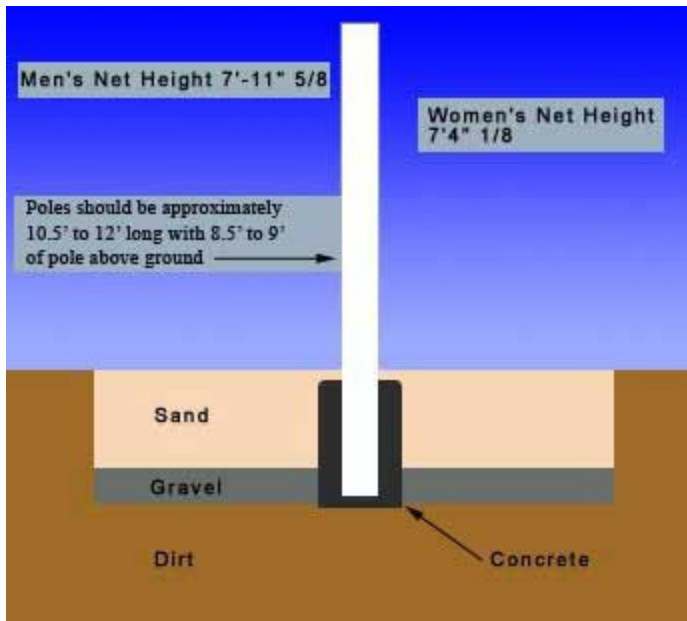
Below are the dimensions for a sand court. We plan on doing two side by side like the one at Northgate and the picture below right. (court total of 50x100 feet)



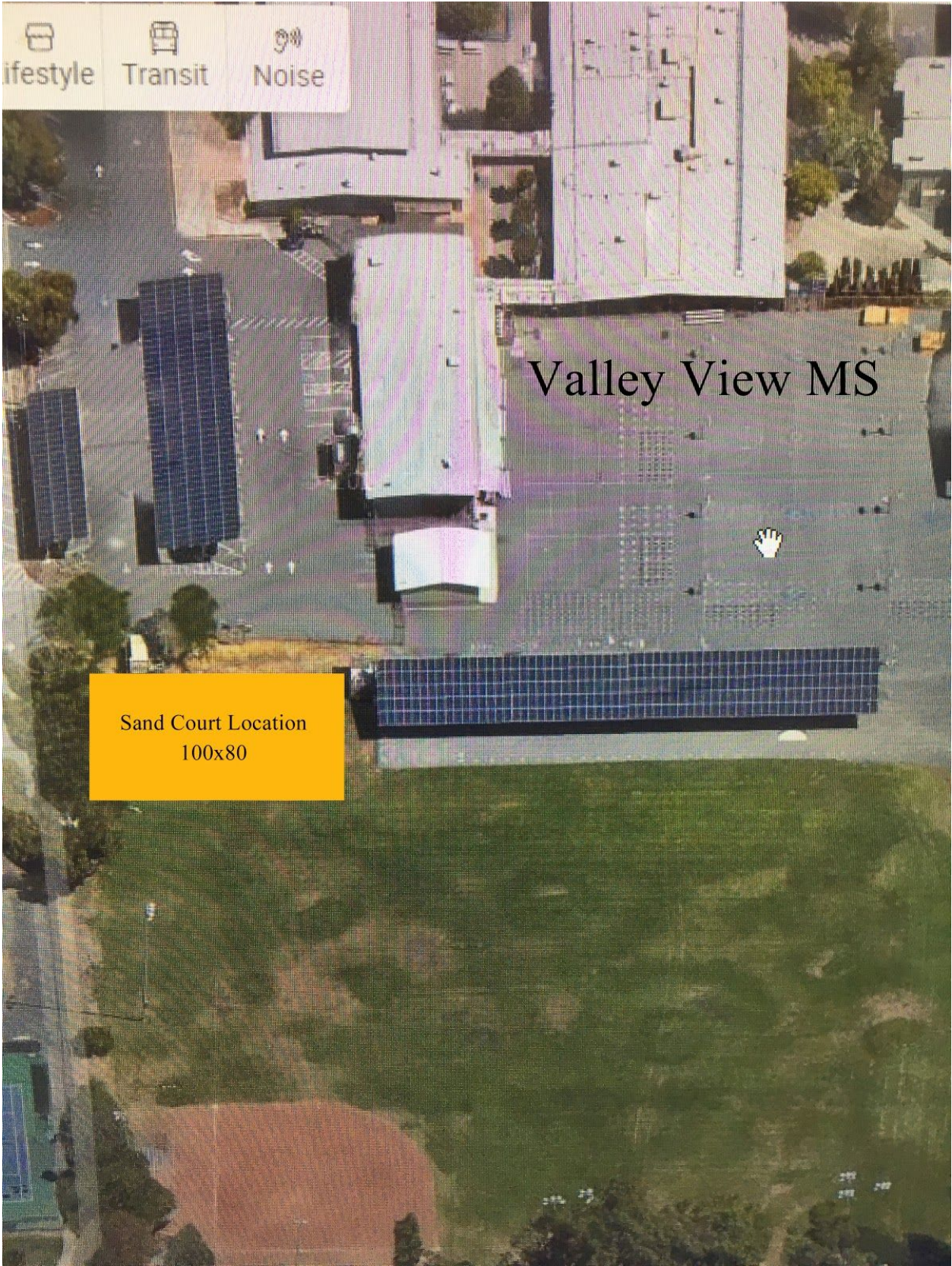
VolleyballUSA.com Lateral Drainage Configuration



Excavated dirt will be placed at West end of the College Park student lot where the tennis court fill was placed.



Here is the approximate location of the sand courts at Valley View.



Sand Court Location
100x80